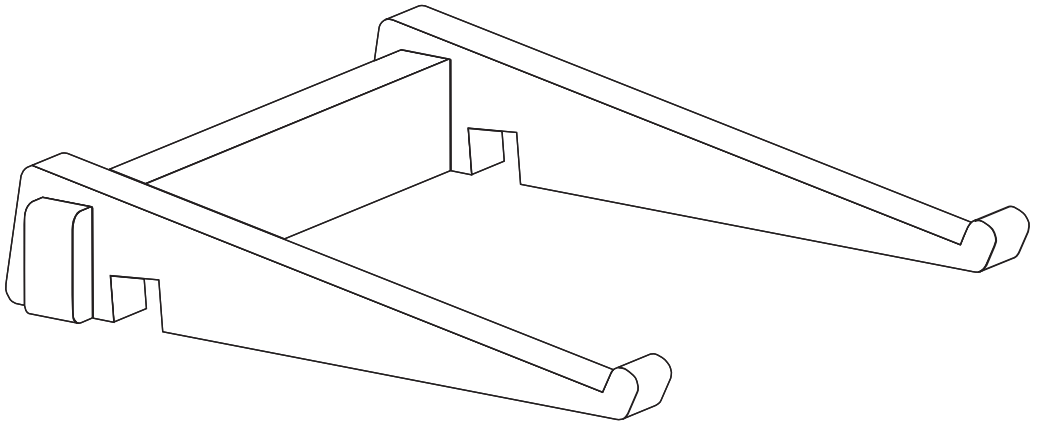


# Māi



**Laptop Stand**

**Made from  
100% Up-Cycled  
Plastic Waste**

## PRODUCT DESCRIPTION

A piece of real desk-top furniture that you never knew you needed. The Mãi Laptop stand is here to save the planet AND your wrists!

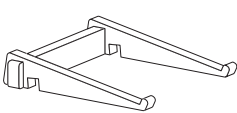
Mãi is made from 100% up-cycled plastic waste. Mãi, which means “forever” in Vietnamese, refers to the properties that make these plastic materials great—the Mãi will last forever—either in this form or reprocessed into something new. All products are designed and manufactured in HCMC by rice studios, PLASTICPeople, and familyowned furniture maker Minh Chương.

## PRODUCT SPECIFICATIONS (ASSEMBLED)

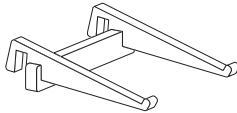
Width	60 mm
Length	260 mm
Height	40 mm
Weight	0.3 kg of up-cycled plastic waste
Finishing	Natural and sustainably sourced Tung oil (TPP+ only)

## ASSEMBLY

1.



2.



## COLLABORATORS & AFFILIATES

Designed by rice studios  
Produced by Minh Chương  
Material by PLASTICPeople

## MATERIAL INFORMATION

TPP+

0% virgin materials,  
100% up-cycled plastic waste.  
Suitable for indoor use.

Prolonged exposure to rain or direct contact with water can potentially compromise its water-resistance capabilities.

Sources	Milk & Juice Packaging (TETRA—PAK), Aluminum Foil, Plastic Bags.
---------	--

## TERRA

0% virgin materials,  
100% up-cycled plastic waste.  
Suitable for both indoor and outdoor use.  
Colors may fade under direct sunlight.  
No specific maintenance required for this material.

Sources	Bottle Caps, Plastic Straws, Disposable Plastic Cutlery, Liquid Containers, Detergent Bottles, Shampoo Bottles.
---------	---

## DISCLAIMER

No additional chemicals & colors used.  
Color may vary between production batches due to the nature of sourced raw materials.

(+84) 28 3822 9559  
mãi.com

